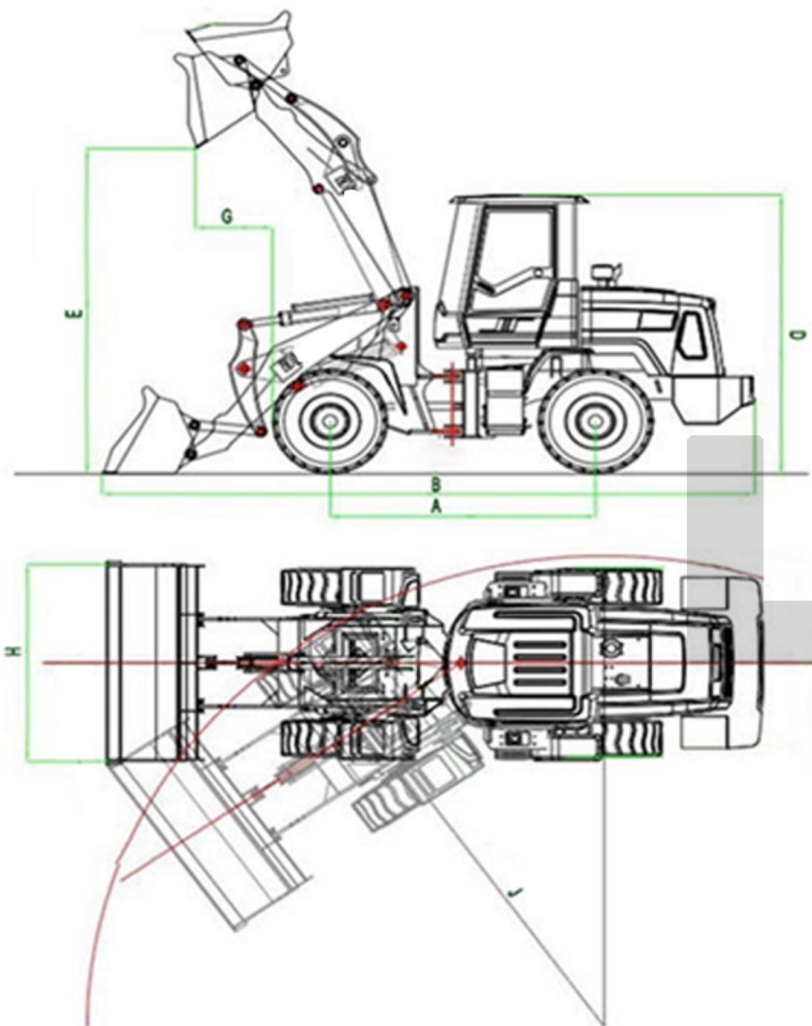


# TS930K



# LUYU MACHINERY

Address: Shahe Industry Zone, Laizhou City, Shandong Province, China.



Product Model		TS930K	
<b>Main Technical Parameters</b>		<b>Transmission</b>	
Bucket capacity	0.9m³	Type	Hydraulic Torque Converter
Rated load	1800kgs	Pattern	Automatic
Machine weight	4720kgs	Gear shift	Double H/L
Overall dimension(mm) (L * W * H)	6110*1870*2800mm	Axle	Small Hub Reducer
Wheel base(A)	2195mm	<b>Tire</b>	
Bucket width(H)	1900mm	Tire	20.5/70-16
Max.dumping height(E)	2990mm	<b>Working hydraulic system</b>	
Max.dumping distance(G)	1070mm	Operating type	Hydraulic Joystick
Turning radius(J)	3055mm	Lifting time	4.065s
Maximum speed	20km/H	Lowering time	3.21s
<b>Engine</b>		<b>Braking system</b>	
Model	QUANCHAI 4B2-75M22	Service brake	Air Hydraulic Disc Brake
Pattern	In line,4 cylinders	Parking brake	Hand brake
Rated power	60kW	Optional configuration	
Rated Speed	2400 r/min		

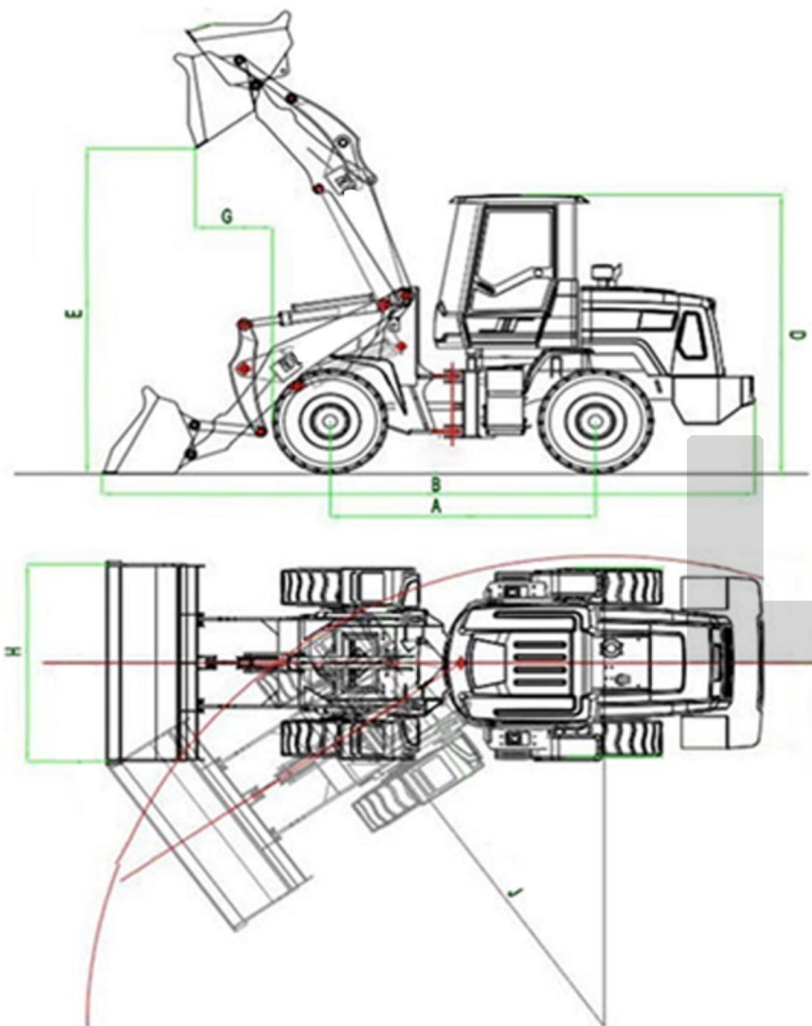


# TS930GK



# LUYU MACHINERY

Address: Shahe Industry Zone, Laizhou City, Shandong Province, China.



Product Model		TS930GK	
<b>Main Technical Parameters</b>		<b>Transmission</b>	
Bucket capacity	1.2m <sup>3</sup>	Type	Hydraulic Torque Converter
Rated load	1600kgs	Pattern	Automatic
Machine weight	6300kgs	Gear shift	Double H/L
Overall dimension(mm) ( L * W * H )	7450*1930*2900mm	Axle	Small hub reducer
Wheel base(A)	2450mm	<b>Tire</b>	
Bucket width(H)	2000mm	Tire	17.5-25
Max.dumping height(E)	4360mm	<b>Working hydraulic system</b>	
Max.dumping distance(G)	1200mm	Operating type	Hydraulic Joystick
Turning radius(J)	4500mm	Lifting time	5.98s
Maximum speed	20km/H	Lowering time	4.58s
<b>Engine</b>		<b>Braking system</b>	
Model	QUANCHAI 4B2-75M22	Service brake	Air Hydraulic Disc Brake
Pattern	In line,4 cylinders	Parking brake	Hand brake
Rated power	60kW	Optional configuration	
Rated speed	2400 r/min		

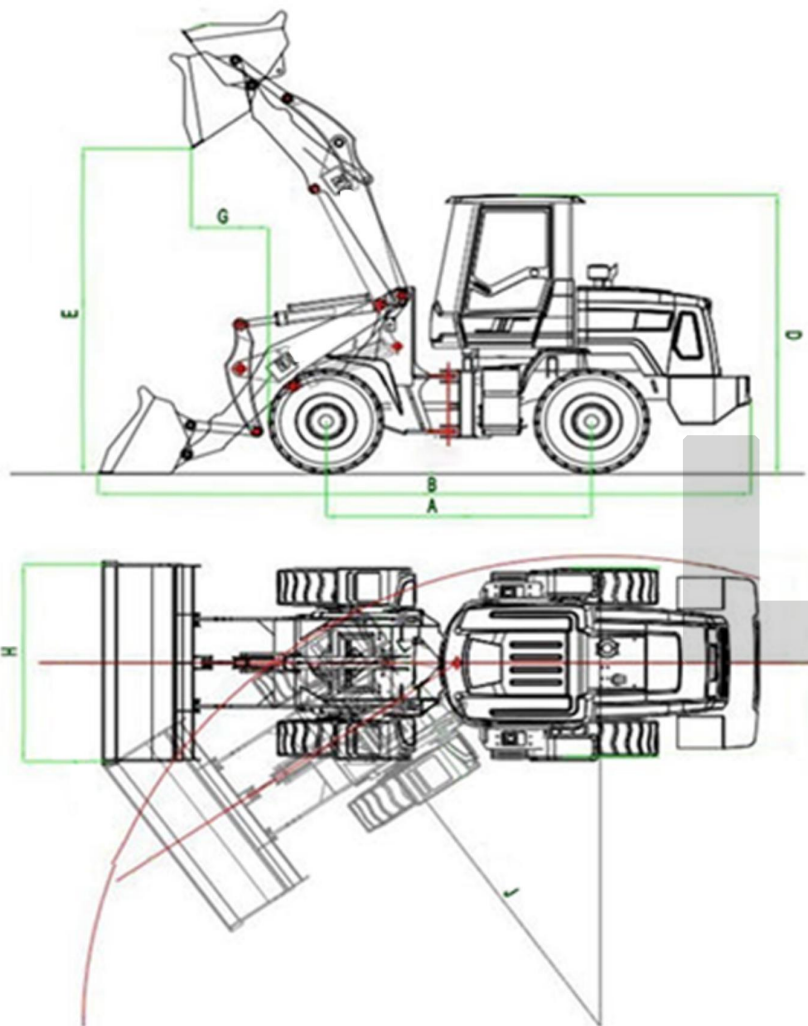


# TS938K



# LUYU MACHINERY

Address: Shahe Industry Zone, Laizhou City, Shandong Province, China.



Product Model		TS938K	
<b>Main Technical Parameters</b>		<b>Transmission</b>	
Bucket capacity	1.2m <sup>3</sup>	Type	Hydraulic Torque Converter
Rated load	2000kgs	Pattern	Automatic
Machine weight	6100kgs	Gear shift	Double H/L
Overall dimension(mm) ( L * W * H )	6700*1980*2900mm	Axle	Medium Hub Reducer
Wheel base(A)	2475mm	<b>Tire</b>	
Bucket width(H)	2080mm	Tire	16/70-20
Max.dumping height(E)	3370mm	<b>Working hydraulic system</b>	
Max.dumping distance(G)	1350mm	Operating type	Hydraulic Joystick
Turning radius(J)	3055mm	Lifting time	5.79s
Maximum speed	20km/H	Lowering time	4.17s
<b>Engine</b>		<b>Braking system</b>	
Model	QUANCHAI 4C6-88M22	Service brake	Air Hydraulic Disc Brake
Pattern	In line,4 cylinder	Parking brake	Hand brake
Rated power	76kW	Optional configuration	
Rated speed	2400 r/min		

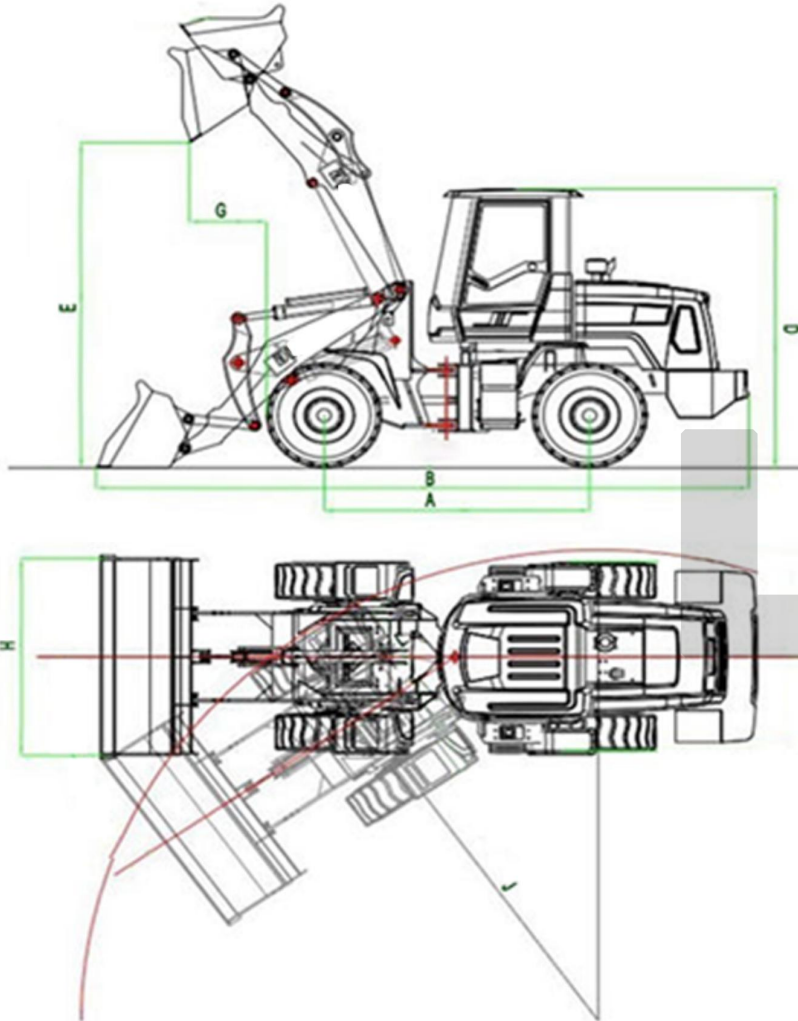


# TS938KH



# LUYU MACHINERY

Address: Shahe Industry Zone, Laizhou City, Shandong Province, China.



Product Model		TS938KH	
Main Technical Parameters		Transmission	
Bucket capacity	1.2m³	Type	Hydraulic Torque Converter
Rated load	2000kgs	Pattern	Automatic
Machine weight	6100kgs	Gear shift	Double H/L
Overall dimension(mm) (L * W * H)	6890*1965*2900mm	Axle	Medium Hub Reducer
Wheel base(A)	2500mm	Tire	
Bucket width(H)	2000mm	Tire	16/70-20
Max.dumping height(E)	2860mm	Working hydraulic system	
Max.dumping distance(G)	1075mm	Operating type	Hydraulic Joystick
Turning radius(J)	3055mm	Lifting time	5.79s
Maximum speed	20km/H	Lowering time	4.17s
Engine		Braking system	
Model	QUANCHAI 4C6-88M22	Service brake	Air Hydraulic Disc Brake
Pattern	In line,4 cylinder	Parking brake	Hand brake
Rated power	76kW	Optional configuration	
Rated speed	2400 r/min		

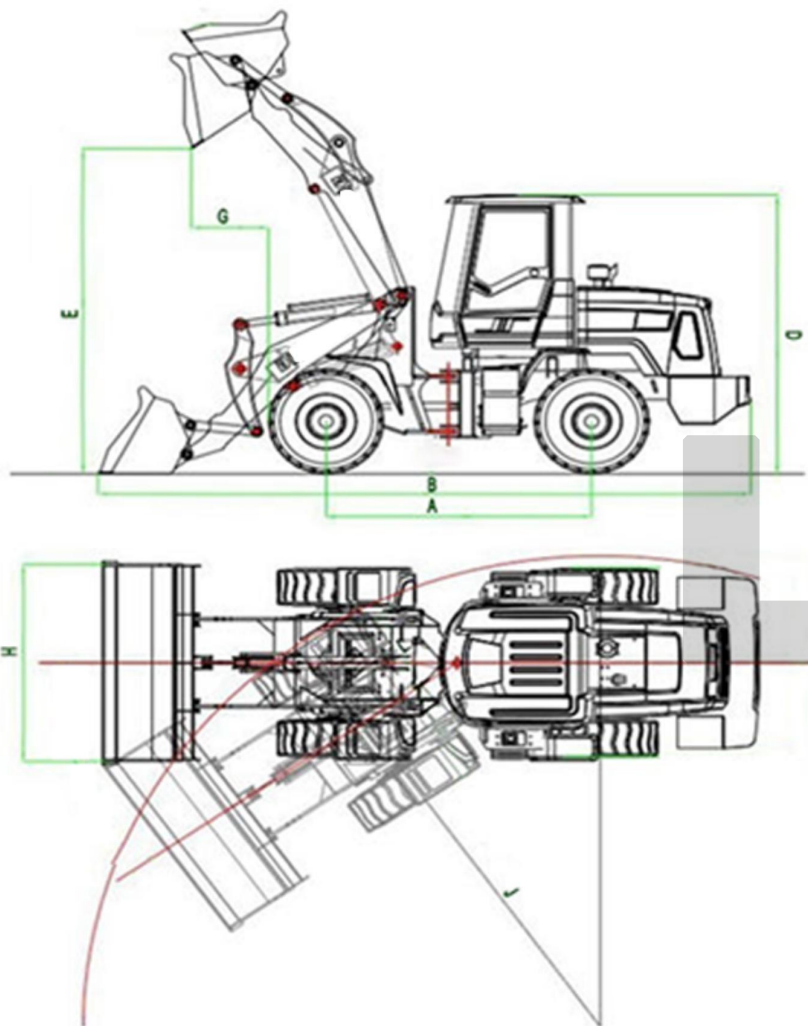


# TS938GK



# LUYU MACHINERY

Address: Shahe Industry Zone, Laizhou City, Shandong Province, China.



Product Model		TS938GK	
Main Technical Parameters		Transmission	
Bucket capacity	2m <sup>3</sup>	Type	Hydraulic Torque Converter
Rated load	1800kgs	Pattern	Automatic
Machine weight	6500kgs	Gear shift	Double H/L
Overall dimension(mm) (L * W * H)	7820*1980*2905mm	Axle	Medium Hub Reducer
Wheel base(A)	2650mm	<b>Tire</b>	
Bucket width(H)	2230mm	Tire	16/70-20
Max.dumping height(E)	4560mm	<b>Working hydraulic system</b>	
Max.dumping distance(G)	1265mm	Operating type	Hydraulic Joystick
Turning radius(J)	4400mm	Lifting time	5.61s
Maximum speed	20km/H	Lowering time	4.09s
<b>Engine</b>		<b>Braking system</b>	
Model	QUANCHAI 4C6-88M22	Service brake	Air Hydraulic Disc Brake
Pattern	In line,4 cylinder	Parking brake	Hand brake
Rated power	76kW	Optional configuration	
Rated speed	2400 r/min		

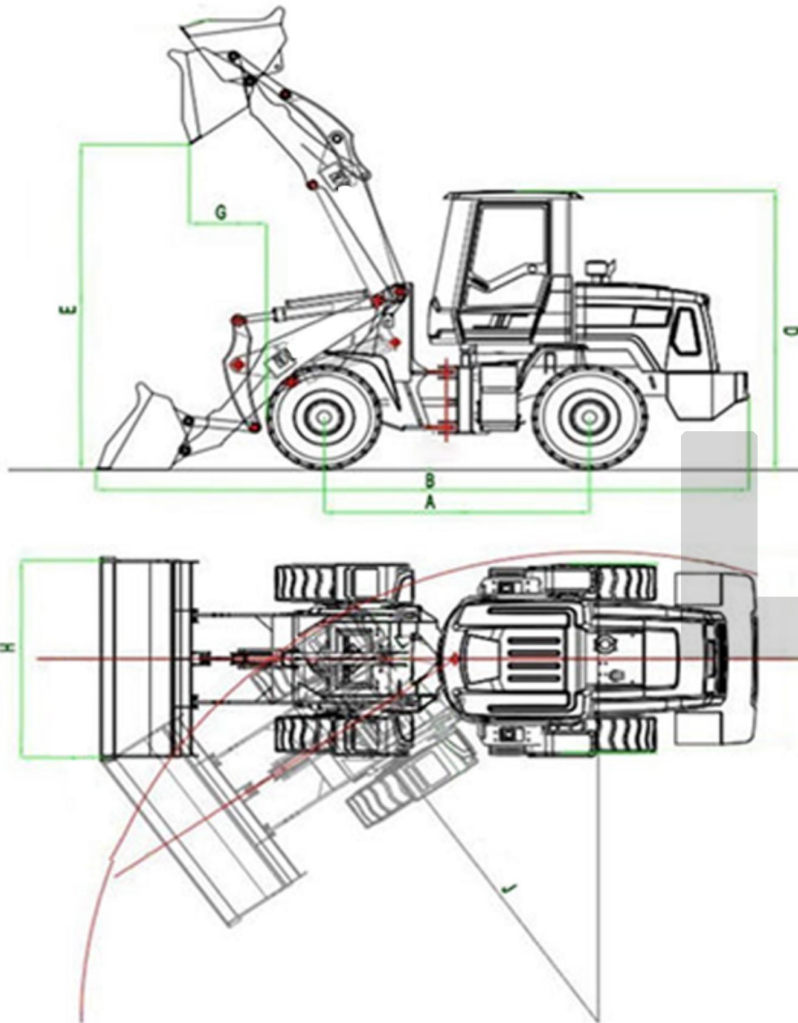


# TS948



# LUYU MACHINERY

Address: Shahe Industry Zone, Laizhou City, Shandong Province, China.



Product Model		TS948	
Main Technical Parameters		Transmission	
Bucket capacity	1.5m³	Type	Hydraulic Torque Converter
Rated load	2200kgs	Pattern	Automatic
Machine weight	6900kgs	Gear shift	Double H/L
Overall dimension(mm) (L * W * H)	6555*2230*2950mm	Axle	Large Hub Reducer
Wheel base(A)	2650mm	Tire	
Bucket width(H)	2230mm	Tire	16/70-24
Max.dumping height(E)	3435mm	Working hydraulic system	
Max.dumping distance(G)	1050mm	Operating type	Hydraulic Joystick
Turning radius(J)	4500mm	Lifting time	5.39s
Maximum speed	20km/H	Lowering time	4.03s
Engine		Braking system	
Model	YUCHAI YCD4J22T-115	Service brake	Air Hydraulic Disc Brake
Pattern	In line,4 cylinder	Parking brake	Hand brake
Rated power	85kW	Optional configuration	
Rated speed	2600 r/min		

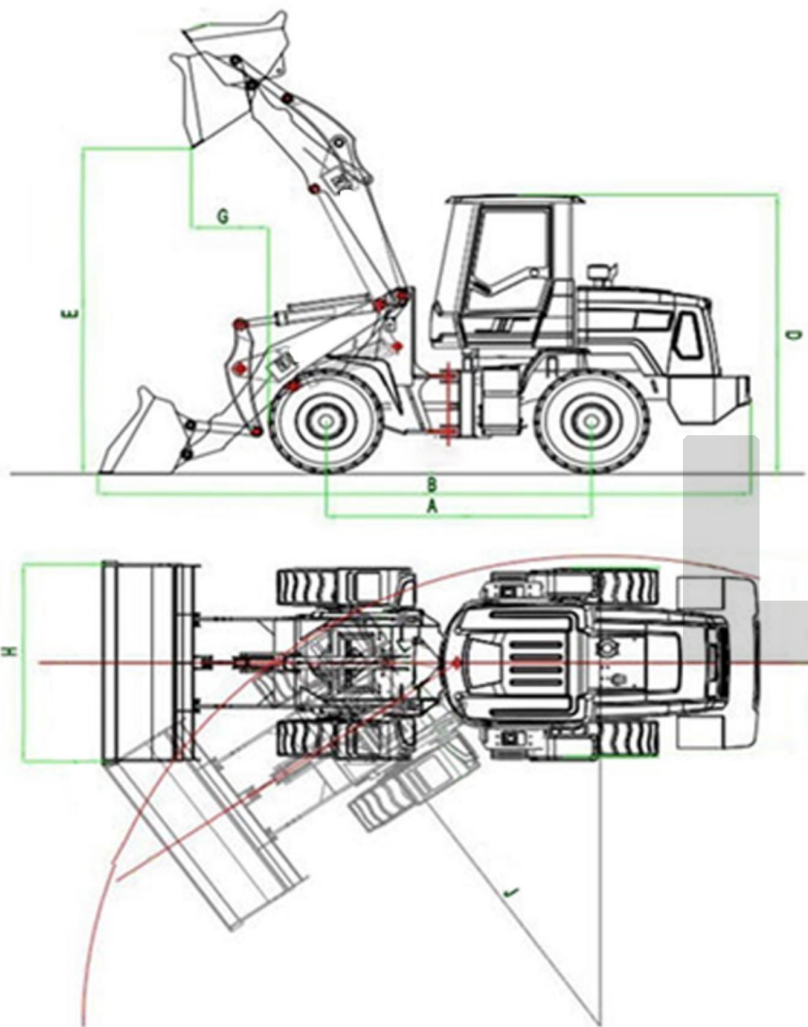


# TS948K



# LUYU MACHINERY

Address: Shahe Industry Zone, Laizhou City, Shandong Province, China.



Product Model		TS948K	
<b>Main Technical Parameters</b>		<b>Transmission</b>	
Bucket capacity	1.5m <sup>3</sup>	Type	Hydraulic Torque Converter
Rated load	2200kgs	Pattern	Automatic
Machine weight	7200kgs	Gear shift	Double H/L
Overall dimension(mm) (L * W * H)	6875*2090*2960mm	Axle	Large Hub Reducer
Wheel base(A)	2465mm	<b>Tire</b>	
Bucket width(H)	2230mm	Tire	16/70-24
Max.dumping height(E)	3300mm	<b>Working hydraulic system</b>	
Max.dumping distance(G)	1365mm	Operating type	Hydraulic Joystick
Turning radius(J)	4500mm	Lifting time	5.39s
Maximum speed	20km/H	Lowering time	4.03s
<b>Engine</b>		<b>Braking system</b>	
Model	YUCHAI YCD4J22T-115	Service brake	Air Hydraulic Disc Brake
Pattern	In line,4 cylinder	Parking brake	Hand brake
Rated power	85kW	Optional configuration	
Rated speed	2600 r/min		

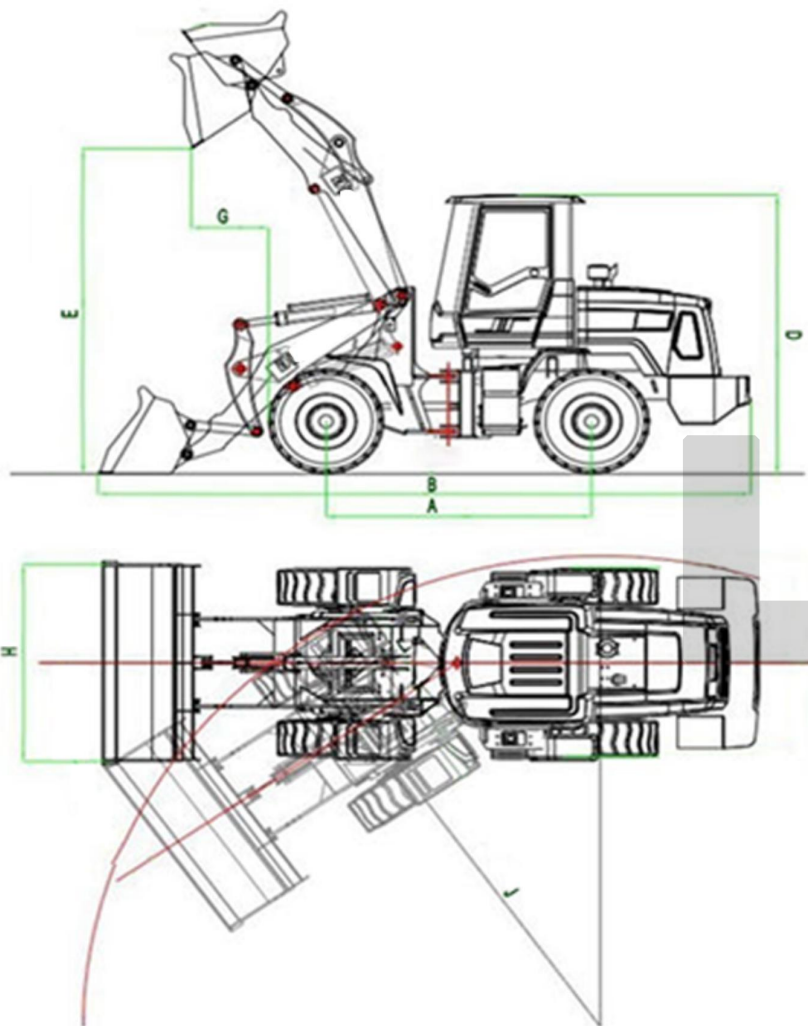


# TS948GK



# LUYU MACHINERY

Address: Shahe Industry Zone, Laizhou City, Shandong Province, China.



Product Model		TS948GK	
Main Technical Parameters		Transmission	
Bucket capacity	2m <sup>3</sup>	Type	Hydraulic Torque Converter
Rated load	2000kgs	Pattern	Automatic
Machine weight	7600kgs	Gear shift	Double H/L
Overall dimension(mm) (L * W * H)	8030*2080*3020mm	Axle	Large Hub Reducer
Wheel base(A)	2855mm	Tire	
Bucket width(H)	2250mm	Tire	16/70-24
Max.dumping height(E)	4710mm	Working hydraulic system	
Max.dumping distance(G)	1190mm	Operating type	Hydraulic Joystick
Turning radius(J)	4500mm	Lifting time	5.39s
Maximum speed	20km/H	Lowering time	4.03s
Engine		Braking system	
Model	YUCHAI YCD4J22T-115	Service brake	Air Hydraulic Disc Brake
Pattern	In line,4 cylinder	Parking brake	Hand brake
Rated power	85kW	Optional configuration	
Rated speed	2600 r/min		

